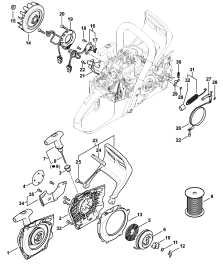
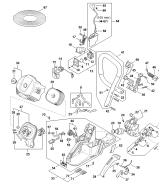


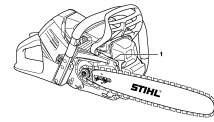
Engine



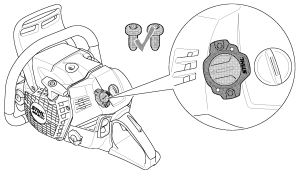
Ignition system, Fan housing



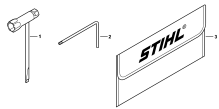
Fuel injection system,
Tank housing, Handlebar
MS 500i-Z



Serial number



Smart Connector



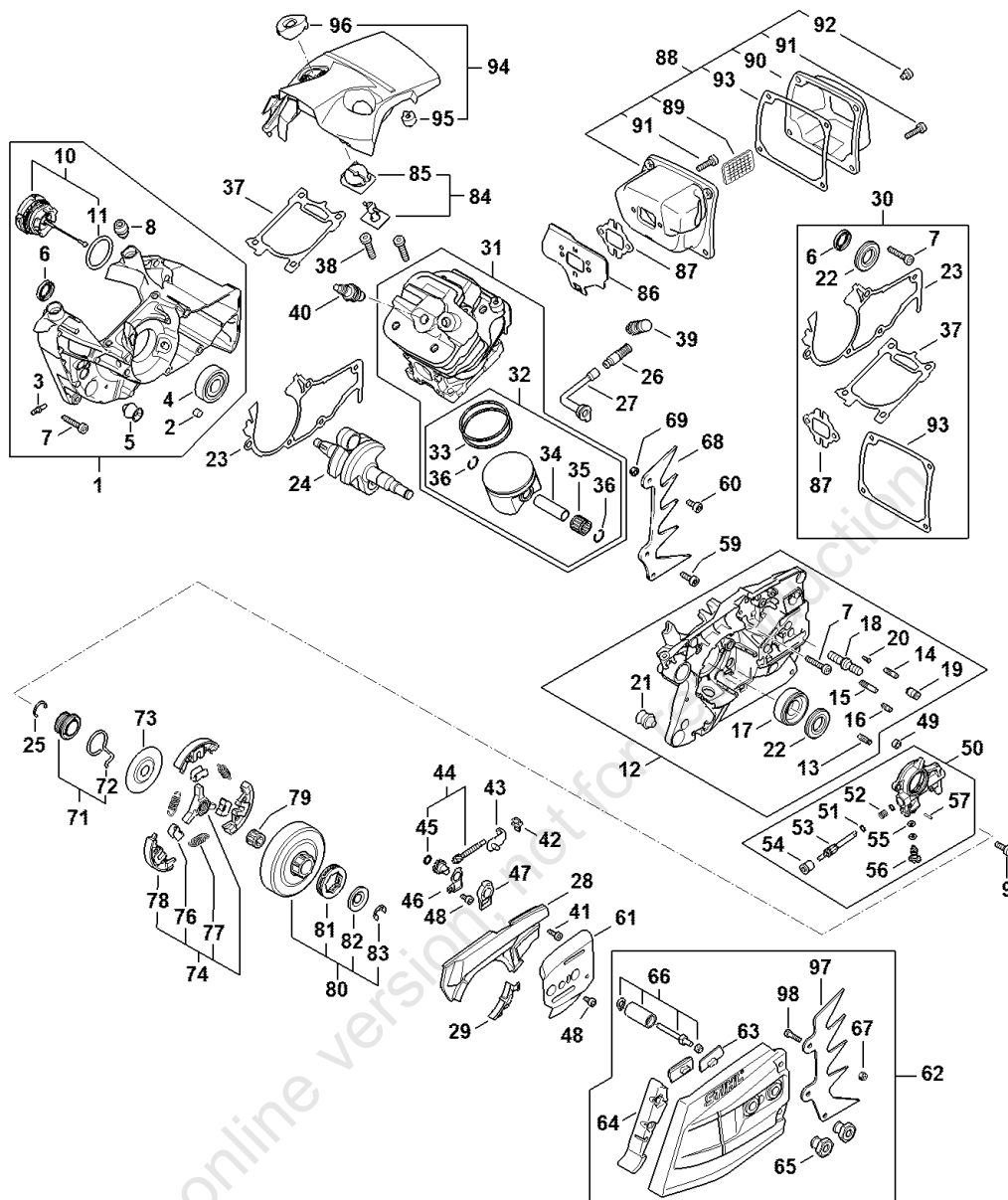
Tools

online version, not for reproduction

MS 500i

| Description | Technical Information |
|--|-----------------------|
| Engine | |
| Ignition system, Fan housing | |
| Fuel injection system, Tank housing, Handlebar MS 500i-Z | |
| Serial number | |
| Smart Connector | |
| Tools | |

online version, not for reproduction



1147-GET-0032-A0

(1) MS 500i, (2) MS 500i-RZ, (3) MS 500i-W, (4) MS 500i-Z

Engine

| Reference | Item number | Qty | Description | Contains |
|-----------|---------------|-----|-------------------------------------|--------------------------|
| 1 | 1147 020 2601 | 1 | Crankcase, fan side (4) | 2 - 8, 10, 11 |
| 2 | 0000 988 8600 | 4 | Sleeve (4) | |
| 3 | 0000 988 5211 | 1 | Connector (4) | |
| 4 | 9523 003 4280 | 1 | Grooved ball bearing 15x37,7x11 (4) | |
| 5 | 1141 791 5902 | 1 | Stop buffer (4) | |
| 6 | 9640 003 1560 | 1 | Oil seal 15x22x4 (4) | |
| 7 | 9022 500 1051 | 5 | Spline screw IS-M5x27 (4) | |
| 8 | 1147 080 1701 | 2 | Grommet (4) | |
| 9 | 9022 346 0658 | 2 | Spline screw IS-M4x12 (4) | |
| 10 | 0000 350 0533 | 1 | Filler cap (4) | 11 |
| 11 | 9645 948 7734 | 1 | O-ring 25x3.5 (4) | |
| 12 | 1147 020 2902 | 1 | Crankcase (4) | 7, 13 - 22 |
| 13 | 1120 162 5200 | 1 | Pin (4) | |
| 14 | 1121 162 5200 | 1 | Pin (4) | |
| 15 | 1121 162 5205 | 1 | Pin (4) | |
| 16 | 1128 162 5200 | 1 | Pin (4) | |
| 17 | 9523 003 4282 | 1 | Grooved ball bearing 15x37,7x13 (4) | |
| 18 | 0000 664 2406 | 2 | Collar screw M8 (4) | |
| 19 | 1128 640 9100 | 1 | Valve (4) | |
| 20 | 0000 974 1200 | 1 | Notched pin 2.6x8 (4) | |
| 21 | 1141 791 5902 | 1 | Stop buffer (4) | |
| 22 | 9640 003 1604 | 1 | Oil seal DIN3760-BS15x31,5x4 (4) | |
| 23 | 1147 020 9700 | 1 | Gasket (4) | 7 |
| 24 | 1147 030 0405 | 1 | Crankshaft (4) | 7 |
| 25 | 9468 621 1520 | 1 | Circlip 15x1 (4) | |
| 26 | 1117 640 3800 | 1 | Pickup body (4) | |
| 27 | 1122 647 9400 | 1 | Hose (4) | |
| 28 | 1147 021 1100 | 1 | Cover (4) | |
| 29 | 1147 021 1101 | 1 | Cover (4) | |
| 30 | 1147 007 1600 | 1 | Set of gaskets (4) | 6, 7, 22, 23, 37, 87, 93 |
| 31 | 1147 020 1200 | 1 | Cylinder with piston Ø 54 mm (4) | 32 - 36 |
| 32 | 1147 030 2003 | 1 | Piston Ø 54 mm (4) | 33 - 36 |
| 33 | 1147 034 3001 | 2 | Piston ring Ø 54x1,2 mm (4) | |
| 34 | 1147 034 1501 | 1 | Piston pin 12x8x39 (4) | |
| 35 | 9512 003 3146 | 1 | Needle cage 12x16.2x15 (4) | |
| 36 | 9463 650 1200 | 2 | Snap ring 12x1 (4) | |
| 37 | 1147 029 2300 | 1 | Cylinder gasket (4) | |

(1) MS 500i, (2) MS 500i-RZ, (3) MS 500i-W, (4) MS 500i-Z

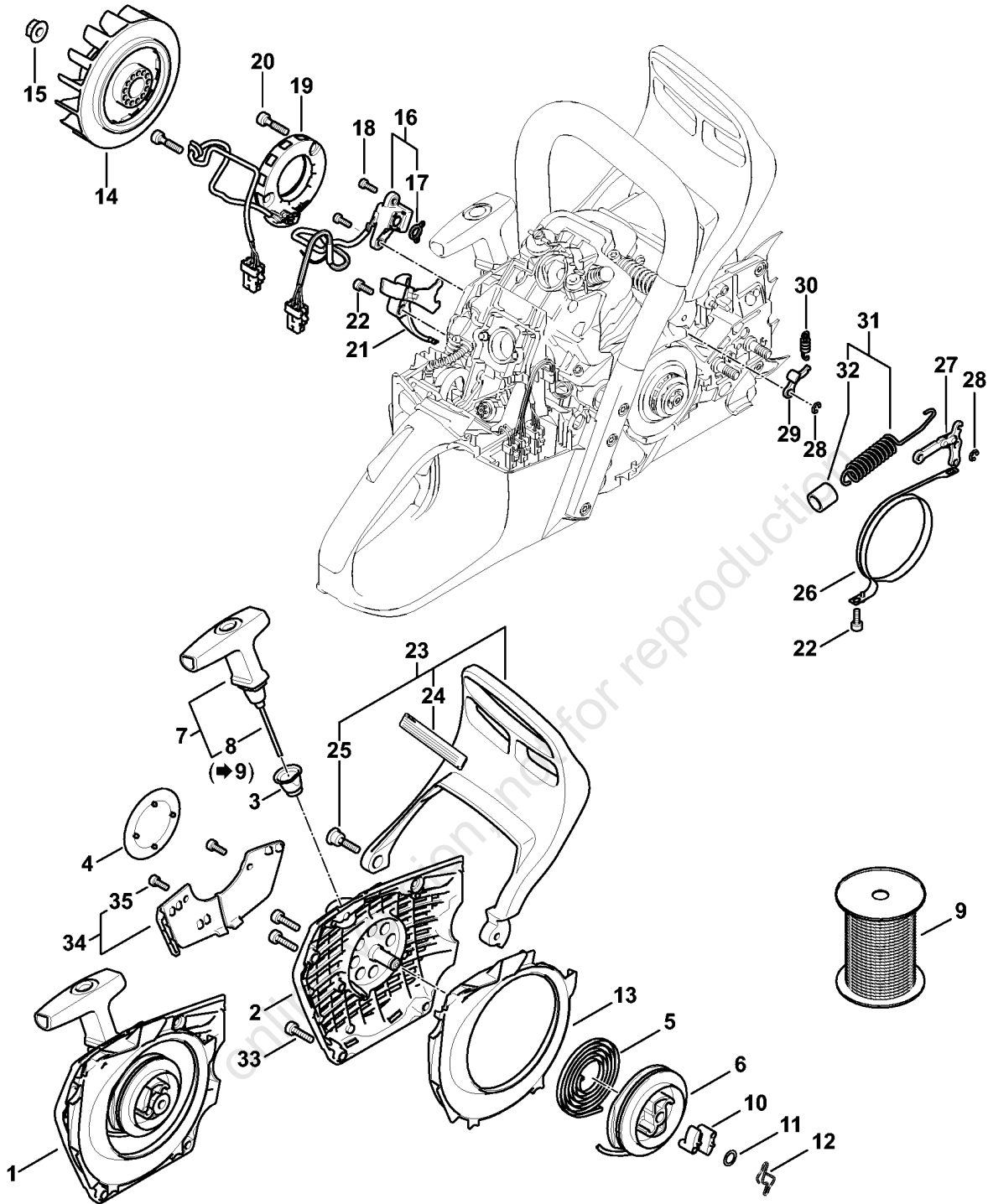
Engine

| Reference | Item number | Qty | Description | Contains |
|-----------|---------------|-----|---|-----------------|
| 38 | 9022 341 1358 | 4 | Spline screw IS-M6x28 (4) | |
| 39 | 1142 020 9400 | 1 | Decompression valve (4) | |
| 40 | 0000 400 7011 | 1 | Spark plug NGK CMR6H (4) | |
| 41 | 9022 313 0660 | 2 | Spline screw IS-M4x12 (4) | |
| 42 | 1125 664 1400 | 1 | Thrust pad (4) | |
| 43 | 1125 640 1900 | 1 | Tensioner slide (4) | |
| 44 | 1125 007 1021 | 1 | Spur gear / chain adjusting screw kit (4) | 45 |
| 45 | 9646 945 0490 | 1 | O-ring 7x1.5 (4) | |
| 46 | 1122 664 2200 | 1 | Cover plate (4) | |
| 47 | 1122 664 4500 | 1 | Support (4) | |
| 48 | 9022 313 0633 | 2 | Spline screw IS-M4x8 (4) | |
| 49 | 1122 649 5000 | 1 | Sealing ring B4x2 (4) | |
| 50 | 1142 640 3200 | 1 | Oil pump (4) | 51 - 57 |
| 51 | 0000 958 0518 | 2 | Washer (4) | |
| 52 | 0000 997 0615 | 1 | Compression spring (4) | |
| 53 | 1142 647 0600 | 1 | Pump piston (4) | |
| 54 | 1125 641 9400 | 1 | Bearing bushing (4) | |
| 55 | 9646 945 0160 | 2 | O-ring 4x2 (4) | |
| 56 | 1142 647 4800 | 1 | Control bolt (4) | |
| 57 | 9380 620 1090 | 1 | Roll pin 2x10 (4) | |
| 59 | 9022 341 0983 | 1 | Spline screw IS-M5x16 (4) | |
| 60 | 9022 341 0960 | 1 | Spline screw IS-M5x12 (4) | |
| 61 | 1128 664 1000 | 1 | Inner side plate (4) | |
| 62 | 1142 640 1701 | 1 | Chain sprocket cover (4) | 63 - 67, 97, 98 |
| 63 | 1121 648 6610 | 2 | Bumper strip (4) | |
| 64 | 1142 656 1501 | 1 | Guard (4) | |
| 65 | 0000 995 0803 | 2 | Collar nut M8 (4) | |
| 66 | 1122 650 7702 | 1 | Chain catcher (4) | |
| 67 | 9214 320 0700 | 2 | Lock nut M5 (4) | |
| 68 | 1122 664 0506 | 1 | Bumper spike (4) | |
| 69 | 9214 320 0700 | 1 | Lock nut M5 (4) | |
| 71 | 1147 640 7110 | 1 | Worm gear (4) | 72 |
| 72 | 1128 647 2400 | 1 | Spring (4) | |
| 73 | 1122 162 1000 | 1 | Cover washer 52 mm (4) | |
| 74 | 1147 160 2002 | 1 | Clutch (4) | 76 - 78 |
| 76 | 1128 162 3000 | 3 | Retainer (4) | |
| 77 | 0000 997 5611 | 3 | Tension spring (4) | |
| 78 | 1147 162 0801 | 3 | Clutch shoe (4) | |

(1) MS 500i, (2) MS 500i-RZ, (3) MS 500i-W, (4) MS 500i-Z

| Reference | Item number | Qty | Description | Contains |
|-----------|---------------|-----|------------------------------|----------|
| 79 | 9512 933 2380 | 1 | Needle cage 10x16x12 (4) | |
| 80 | 1128 007 1017 | 1 | Rim sprocket kit 3/8" 7T (4) | 81 - 83 |
| 81 | 0000 642 1223 | 1 | Rim sprocket 3/8" 7T (4) | |
| 82 | 0000 958 1032 | 1 | Washer Ø 27 mm (4) | |
| 83 | 9460 624 0801 | 1 | E-clip 8x1.3 (4) | |
| 84 | 1147 080 1501 | 1 | Shroud lock (4) | 85 |
| 85 | 1147 084 7401 | 1 | Grommet (4) | |
| 86 | 1147 141 3200 | 1 | Cooling plate (4) | |
| 87 | 1147 149 0600 | 1 | Muffler gasket (4) | |
| 88 | 1147 140 0603 | 1 | Muffler Z (4) | 89 - 93 |
| 89 | 1147 141 9001 | 1 | Screen (4) | |
| 90 | 1147 145 0800 | 1 | Exhaust casing (4) | |
| 91 | 9022 399 1020 | 4 | Spline screw IS-M5x20 (4) | |
| 92 | 9022 341 0911 | 2 | Spline screw IS-M5x6 (4) | |
| 93 | 1147 149 0500 | 1 | Gasket (4) | |
| 94 | 1147 080 1602 | 1 | Shroud (4) | 95, 96 |
| 95 | 1147 084 7100 | 1 | Cap (4) | |
| 96 | 1147 084 2200 | 1 | Guard (4) | |
| 97 | 1122 664 0501 | 1 | Bumper spike (4) | |
| 98 | 9008 345 0960 | 2 | Hexagon head screw M5x12 (4) | |

Ignition system, Fan housing



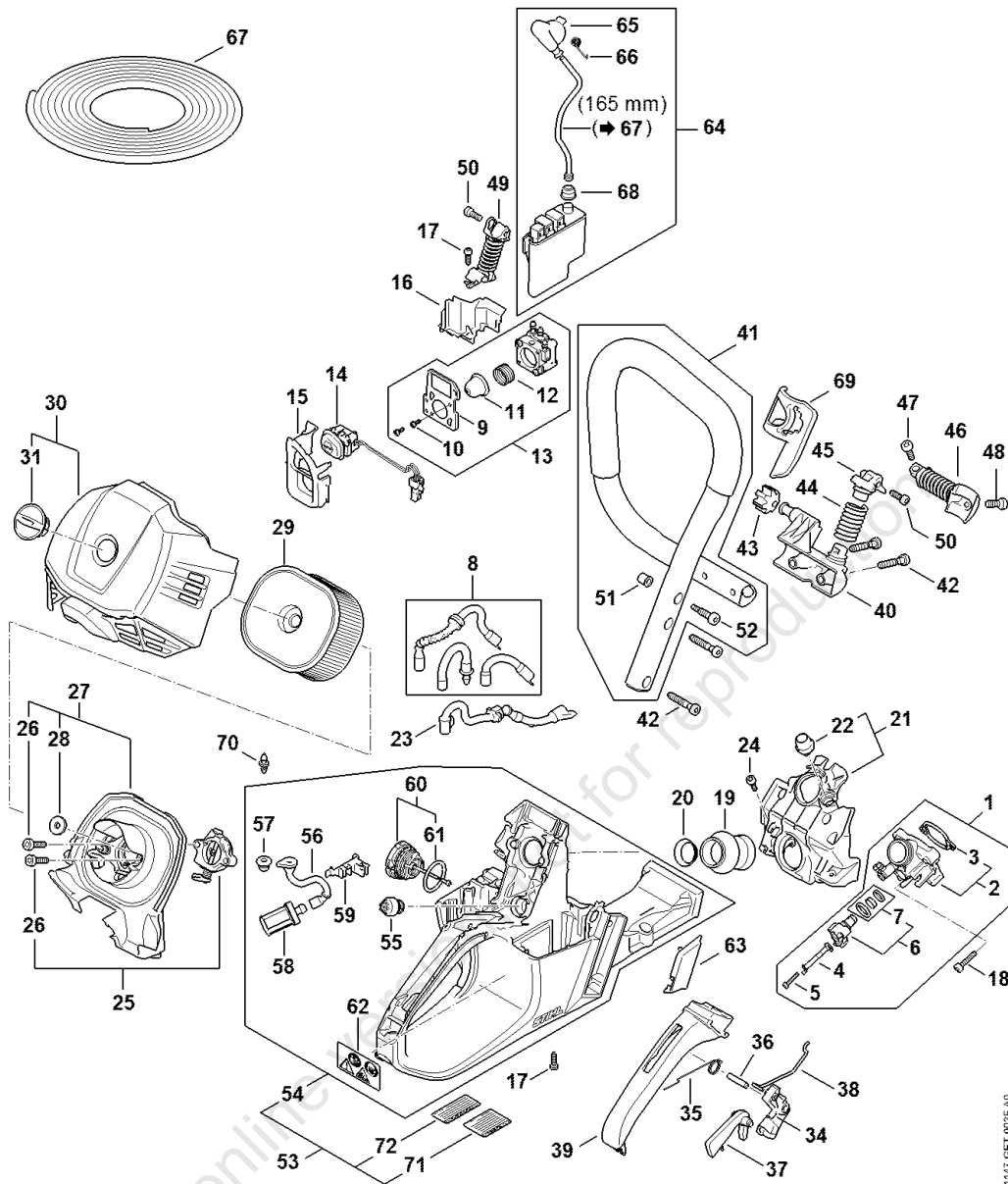
1147-GET-0020-A1

(1) MS 500i, (2) MS 500i-RZ, (3) MS 500i-W, (4) MS 500i-Z

Ignition system, Fan housing

| Reference | Item number | Qty | Description | Contains |
|-----------|---------------|-----|---|----------------|
| 1 | 1147 080 2101 | 1 | Fan housing with rewind starter (2,4) | 2 - 8, 10 - 13 |
| 2 | 1147 080 1800 | 1 | Fan housing (2,4) | 3 |
| 3 | 1110 084 9102 | 1 | Bushing (2,4) | |
| 4 | 1147 967 1500 | 1 | Model plate MS 500i (2,4) | |
| 5 | 1135 190 0600 | 1 | Rewind spring (2,4) | |
| 6 | 1128 195 0400 | 1 | Rope rotor (2,4) | |
| 7 | 1128 190 3400 | 1 | Starter grip ElastoStart Ø 3,5 mm (2,4) | 8 |
| 8 | 1128 190 2900 | 1 | Starter rope Ø 3.5 mm (2,4) | |
| 9 | 0000 930 2267 | 1 | Starter rope Ø 3.5 mm / 28 pieces (B) (2,4) | |
| 10 | 1125 195 7200 | 2 | Pawl (2,4) | |
| 11 | 0000 958 0923 | 1 | Washer (2,4) | |
| 12 | 1128 195 3500 | 1 | Spring (2,4) | |
| 13 | 1147 084 7800 | 1 | Segment (2,4) | |
| 14 | 1147 400 1201 | 1 | Flywheel (2,4) | |
| 15 | 0000 955 0802 | 1 | Collar nut M8x1 (2,4) | |
| 16 | 1147 400 5801 | 1 | Sensor (2,4) | 17 |
| 17 | 1147 139 0101 | 1 | Gasket (2,4) | |
| 18 | 9022 313 0658 | 2 | Spline screw IS-M4x12 (2,4) | |
| 19 | 1147 400 4000 | 1 | Generator (2,4) | |
| 20 | 1147 404 7800 | 2 | Screw M5 (2,4) | |
| 21 | 1147 141 6301 | 1 | Air baffle (2,4) | |
| 22 | 9022 346 0658 | 2 | Spline screw IS-M4x12 (2,4) | |
| 23 | 1147 790 9100 | 1 | Hand guard (2,4) | 24, 25 |
| 24 | 0000 967 3915 | 1 | Instruction label (2,4) | |
| 25 | 1141 790 6100 | 1 | Screw assy. M5 (2,4) | |
| 26 | 1147 160 5400 | 1 | Brake band (2,4) | |
| 27 | 1128 160 5000 | 1 | Lever (2,4) | |
| 28 | 9460 624 0400 | 2 | E-clip 4 (2,4) | |
| 29 | 1121 162 5010 | 1 | Lever (2,4) | |
| 30 | 0000 997 0628 | 1 | Spring (2,4) | |
| 31 | 1141 160 5502 | 1 | Tension spring (2,4) | 32 |
| 32 | 1141 162 8000 | 1 | Hose (2,4) | |
| 33 | 9022 371 1020 | 3 | Spline screw IS-M5x20 (2,4) | |
| 34 | 1147 080 7501 | 1 | Cover plate (B) (2,4) | 35 |
| 35 | 9022 313 0660 | 2 | Spline screw IS-M4x12 (B) (2,4) | |

(1) MS 500i, (2) MS 500i-RZ, (3) MS 500i-W, (4) MS 500i-Z



1147-GJET-0035-PA0

(1) MS 500i, (2) MS 500i-RZ, (3) MS 500i-W, (4) MS 500i-Z

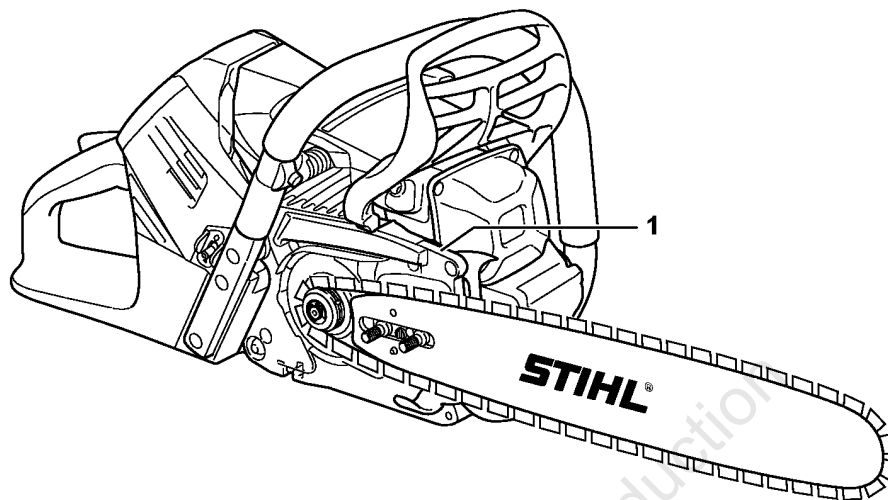
Fuel injection system, Tank housing, Handlebar MS 500i-Z

| Reference | Item number | Qty | Description | Contains |
|-----------|---------------|-----|--|----------|
| 1 | 1147 130 0102 | 1 | Injection module (4) | 2 - 8 |
| 2 | 1147 130 4504 | 1 | Injection housing (4) | 3, 8 |
| 3 | 1147 139 0100 | 1 | Gasket (4) | |
| 4 | 1147 431 7002 | 1 | Contact plate (4) | |
| 5 | 9074 477 2311 | 1 | Pan head self-tapping screw IS P3x16 (4) | |
| 6 | 0000 130 3307 | 1 | Injection valve (4) | 7, 8 |
| 7 | 1147 007 1001 | 1 | Sealing ring kit (4) | |
| 8 | 1147 007 2000 | 1 | Hose kit (4) | |
| 9 | 1147 131 3801 | 1 | Support (4) | |
| 10 | 1147 132 0100 | 2 | Screw (4) | |
| 11 | 0000 121 2702 | 1 | Cap (4) | |
| 12 | 0000 132 0200 | 1 | Spring (4) | |
| 13 | 1147 130 0302 | 1 | Injection pump (4) | 8 - 12 |
| 14 | 1147 430 0512 | 1 | Switch (4) | |
| 15 | 1147 432 1700 | 1 | Cover (4) | |
| 16 | 1147 131 3800 | 1 | Support (4) | |
| 17 | 9074 477 2995 | 2 | Pan head self-tapping screw IS-P4x12 (4) | |
| 18 | 9022 371 0710 | 4 | Spline screw IS-M4x20 (4) | |
| 19 | 1147 141 2200 | 1 | Manifold (4) | |
| 20 | 1147 141 1805 | 1 | Sleeve (4) | |
| 21 | 1147 080 0901 | 1 | Air guide shroud (4) | 22 |
| 22 | 1147 080 1700 | 1 | Grommet (4) | |
| 23 | 1147 141 8600 | 1 | Impulse hose (4) | |
| 24 | 9022 313 0660 | 1 | Spline screw IS-M4x12 (4) | |
| 25 | 1147 120 6901 | 1 | Throttle shutter housing (4) | 26 |
| 26 | 9022 500 1020 | 2 | Screw IS-M5x22 (4) | |
| 27 | 1147 140 1202 | 1 | Air filter base (4) | 26, 28 |
| 28 | 1144 129 0900 | 1 | Gasket (4) | |
| 29 | 1144 140 4402 | 1 | Air filter HD2 (4) | |
| 30 | 1147 140 1000 | 1 | Filter cover (4) | 31 |
| 31 | 1144 141 2300 | 1 | Twist lock (4) | |
| 34 | 1147 182 1000 | 1 | Throttle trigger (4) | |
| 35 | 1138 182 4500 | 1 | Torsion spring (4) | |
| 36 | 9371 470 2630 | 1 | Cylindrical pin (DIN7)-5m6x22 (4) | |
| 37 | 1141 182 0800 | 1 | Lockout lever (4) | |
| 38 | 1147 182 1500 | 1 | Throttle rod (4) | |
| 39 | 1147 791 0600 | 1 | Handle molding (4) | |
| 40 | 1147 791 1900 | 1 | Handlebar support (4) | |

(1) MS 500i, (2) MS 500i-RZ, (3) MS 500i-W, (4) MS 500i-Z

Fuel injection system, Tank housing, Handlebar MS 500i-Z

| Reference | Item number | Qty | Description | Contains |
|-----------|---------------|-----|--|--------------------|
| 41 | 1147 790 1700 | 1 | Handlebar (4) | 51, 52 |
| 42 | 9074 478 4675 | 4 | Pan head self-tapping screw IS-P6x32.5 (4) | |
| 43 | 1141 791 2802 | 1 | Stop buffer (4) | |
| 44 | 1144 791 3102 | 1 | Spring (4) | |
| 45 | 1147 792 2904 | 1 | AV mount (4) | |
| 46 | 1147 790 8303 | 1 | AV spring (4) | |
| 47 | 9022 341 0983 | 1 | Spline screw IS-M5x16 (4) | |
| 48 | 9022 371 1020 | 1 | Spline screw IS-M5x20 (4) | |
| 49 | 1147 790 8302 | 1 | AV spring (4) | |
| 50 | 9074 477 4130 | 1 | Pan head self-tapping screw IS-P5x16 (4) | |
| 51 | 0000 791 7904 | 1 | Bushing (4) | |
| 52 | 1141 791 6100 | 1 | Collar screw (4) | |
| 53 | 1147 350 0803 | 1 | Tank housing CDN (4) | 8, 54 - 62, 71, 72 |
| 54 | 1147 350 0801 | 1 | Tank housing (4) | 8, 55 - 62 |
| 55 | 0000 350 5800 | 1 | Tank vent (4) | |
| 56 | 1139 358 7700 | 1 | Hose (4) | |
| 57 | 1141 989 0600 | 1 | Grommet (4) | |
| 58 | 0000 350 3518 | 1 | Pickup body (4) | |
| 59 | 1147 448 1200 | 1 | Lead retainer (4) | |
| 60 | 0000 350 0533 | 1 | Filler cap (4) | 61 |
| 61 | 9645 948 7734 | 1 | O-ring 25x3.5 (4) | |
| 62 | 0000 967 7247 | 1 | Warning pictogram MS (4) | |
| 63 | 1147 435 2700 | 1 | Cover (4) | |
| 64 | 1147 400 4702 | 1 | Control unit (4) | 65 - 68 |
| 65 | 1147 405 1000 | 1 | Spark plug boot (4) | |
| 66 | 0000 998 0618 | 1 | Torsion spring (4) | |
| 67 | 0000 405 0600 | 1 | Ignition lead 1 m (B) (4) | |
| 67 | 0000 930 2251 | 1 | Ignition lead 10 m (B) (4) | |
| 68 | 0000 989 1002 | 1 | Grommet (4) | |
| 69 | 1147 798 3600 | 1 | Deflector (B) (4) | |
| 70 | 4148 353 2700 | 1 | Connector (4) | |
| 71 | 0000 967 4066 | 1 | Warning Spark arresting screen CDN (4) | |
| 72 | 0000 967 3596 | 1 | Instruction label CDN (4) | |



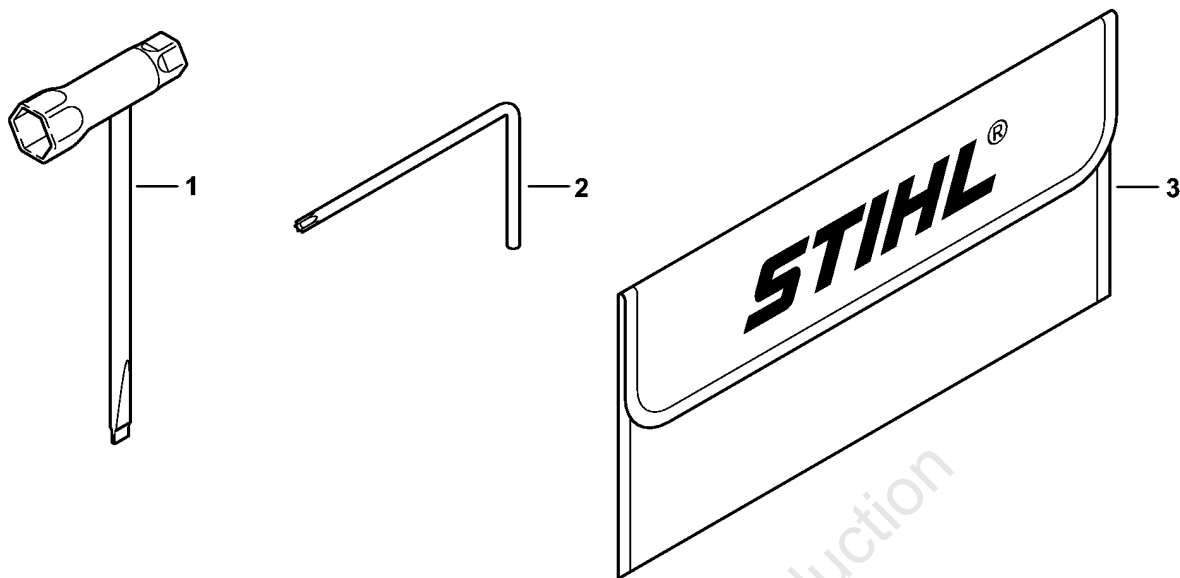
1147-GET-0018-A0

(1) MS 500i, (2) MS 500i-RZ, (3) MS 500i-W, (4) MS 500i-Z

Serial number

| Reference | Qty | Description |
|-----------|-----|---------------------------|
| 1 | 1 | Position of serial number |

online version, not for reproduction



online version, not for reproduction

Tools

| Reference | Item number | Qty | Description |
|-----------|---------------|-----|------------------------|
| 1 | 1142 890 3401 | 1 | Combination wrench |
| 2 | 0812 370 1000 | 1 | Screwdriver T27x120x70 |
| 3 | 0000 891 0810 | 1 | Tool roll |

online version, not for reproduction