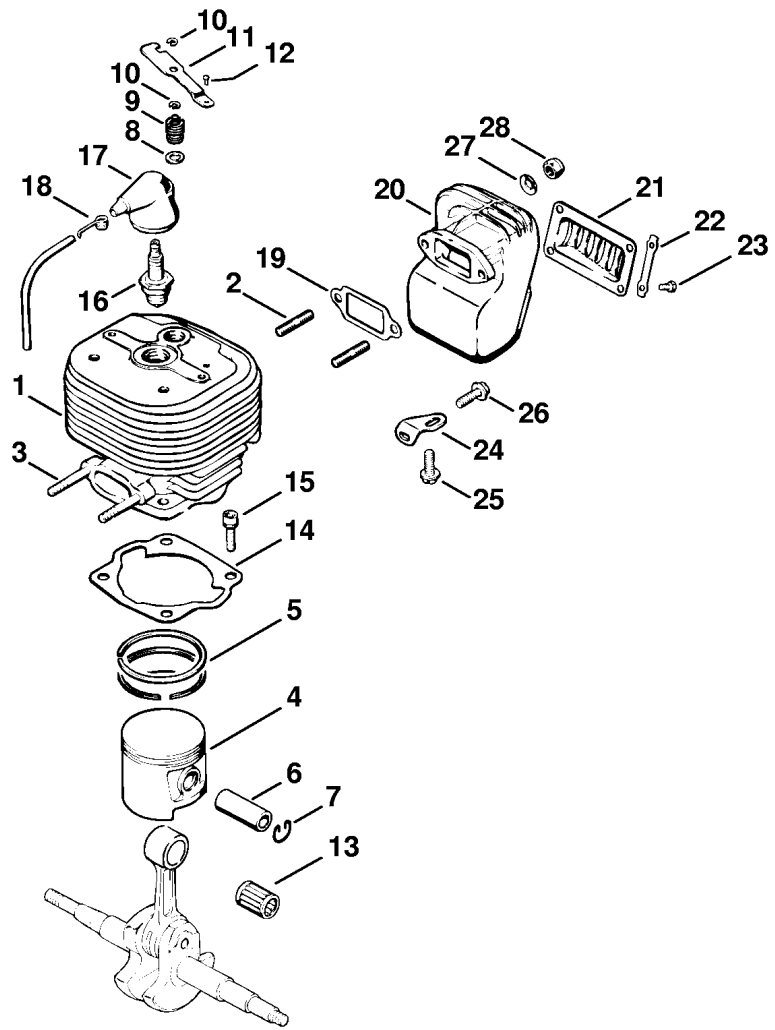


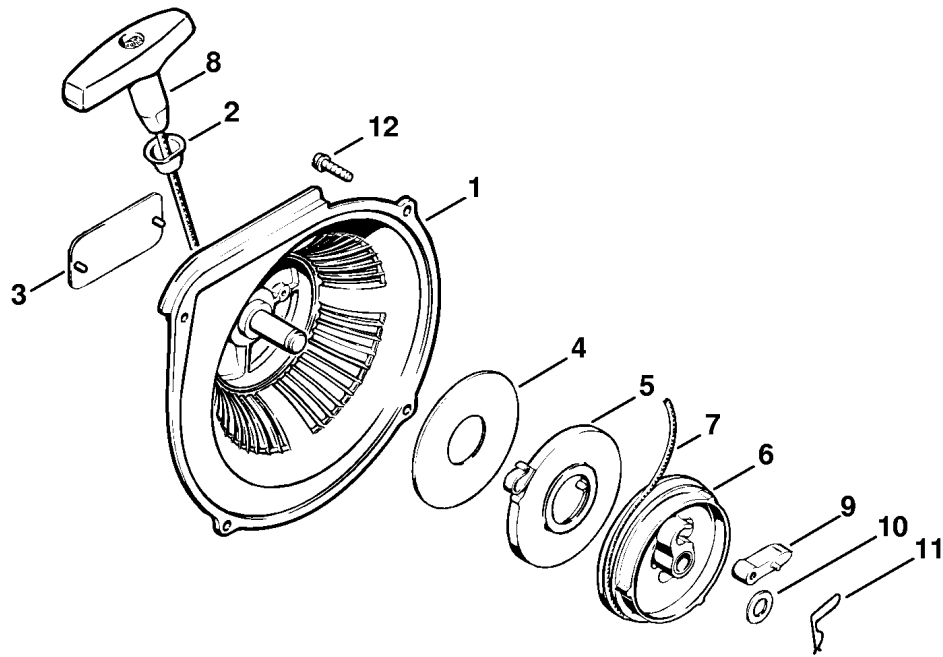
548ET000 SC

Reference	Item number	Qty	Description
1	1106 020 2100	1	Crankcase □ 2 - 15
2	9121 347 1420	2	Stud M6x45
3	9121 347 1370	3	Stud M6x30
4	9371 470 3220	2	Cylindrical pin 6x36
5	9321 630 0140	5	Spring washer 6
6	9210 319 0900	5	Hexagon nut M6
7	0000 988 5217	1	Connector
8	0000 988 5200	2	Connector
9	9456 621 3310	2	Circlip 30x1.2
10	0000 958 2004	2	Washer
11	0000 993 0900	2	Needle bearing 18x30x24
12	1106 036 9000	2	Check ring
13	0000 989 0810	1	Grommet
14	0000 967 3662	1	Warning pictogram MS
15	1106 641 3200	1	Oil line
16	0000 989 5200	1	Hose 43 mm / 1 3/4"
17	1106 030 0400	1	Crankshaft (25.2005)
18	1106 029 1210	1	Gasket
19	9640 003 1981	2	Oil seal 18x30x7
20	1106 029 8901	1	Insulating rod
21	1107 350 0500	1	Filler cap □ 22 - 24
22	1117 350 0905	1	Filler cap retainer
23	9099 021 2360	1	Self-tapping screw 3.5x9.5
24	9645 948 4050	1	O-ring 36x3
25	1108 350 5800	1	Tank vent □ 26
26	0000 951 5815	1	Grub screw 1/4"
27	1106 640 9000	1	Strainer flange
	1106 007 1050	1	Set of gaskets □ 18, 19



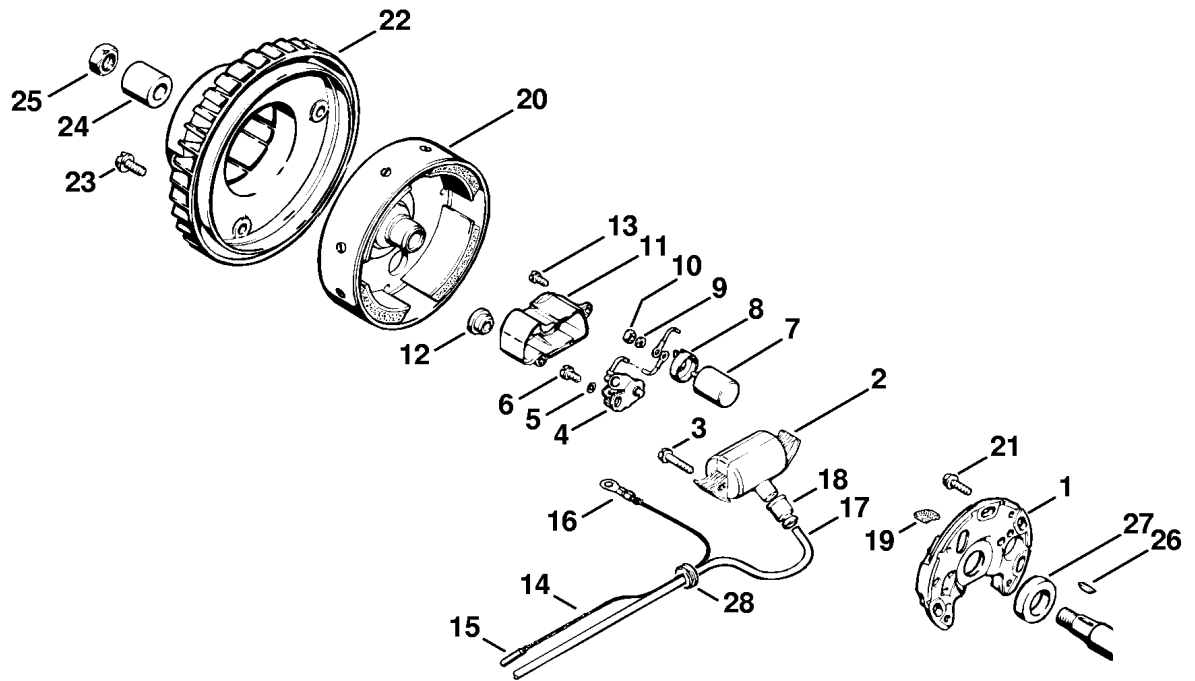
548ET001 SC

Reference	Item number	Qty	Description
1	1106 020 1202	1	Cylinder with piston Ø 58 mm □ 2 - 12
2	9121 347 1310	2	Stud M6x18
3	9121 347 1380	2	Stud M6x35
4	1106 030 2000	1	Piston Ø 58 mm □ 5 - 7
5	1106 034 3003	2	Piston ring Ø 58x1.5 mm
6	1106 034 1503	1	Piston pin 15x9.5x42
7	9462 650 1500	2	Snap ring 15
8	9636 815 0640	1	Sealing ring 8x12
9	1106 020 9400	1	Decompression valve □ 10
10	9460 624 0320	2	E-clip 3.2
11	1106 028 8101	1	Flat spring
12	9440 069 1270	1	Blind rivet 2.6x6
13	9512 003 4080	1	Needle cage 15x19x19.5
14	1106 029 2300	1	Cylinder gasket
15	9036 341 1350	4	Socket head screw M6x25
16	1110 400 7005	1	Spark plug Bosch WSR 6 F
16	0000 400 7000	1	Spark plug NGK BPMR7A
17	1110 405 1000	1	Spark plug boot
18	0000 998 0603	1	Torsion spring
19	1106 149 0600	1	Muffler gasket
20	1106 140 0502	1	Muffler □ 21 - 25
21	1106 145 2900	1	Muffler cover
22	1106 148 3900	2	Locking plate
23	9008 319 0650	4	Hexagon head screw M4x10
24	1106 146 8000	1	Bracket
25	9044 319 0980	1	Pan head screw M5x16
26	9044 319 0980	1	Pan head screw M5x16
27	9486 648 0200	2	Cup spring 12.5
28	9214 320 0900	2	Lock nut M6
	1106 007 1050	1	Set of gaskets □ 14, 19

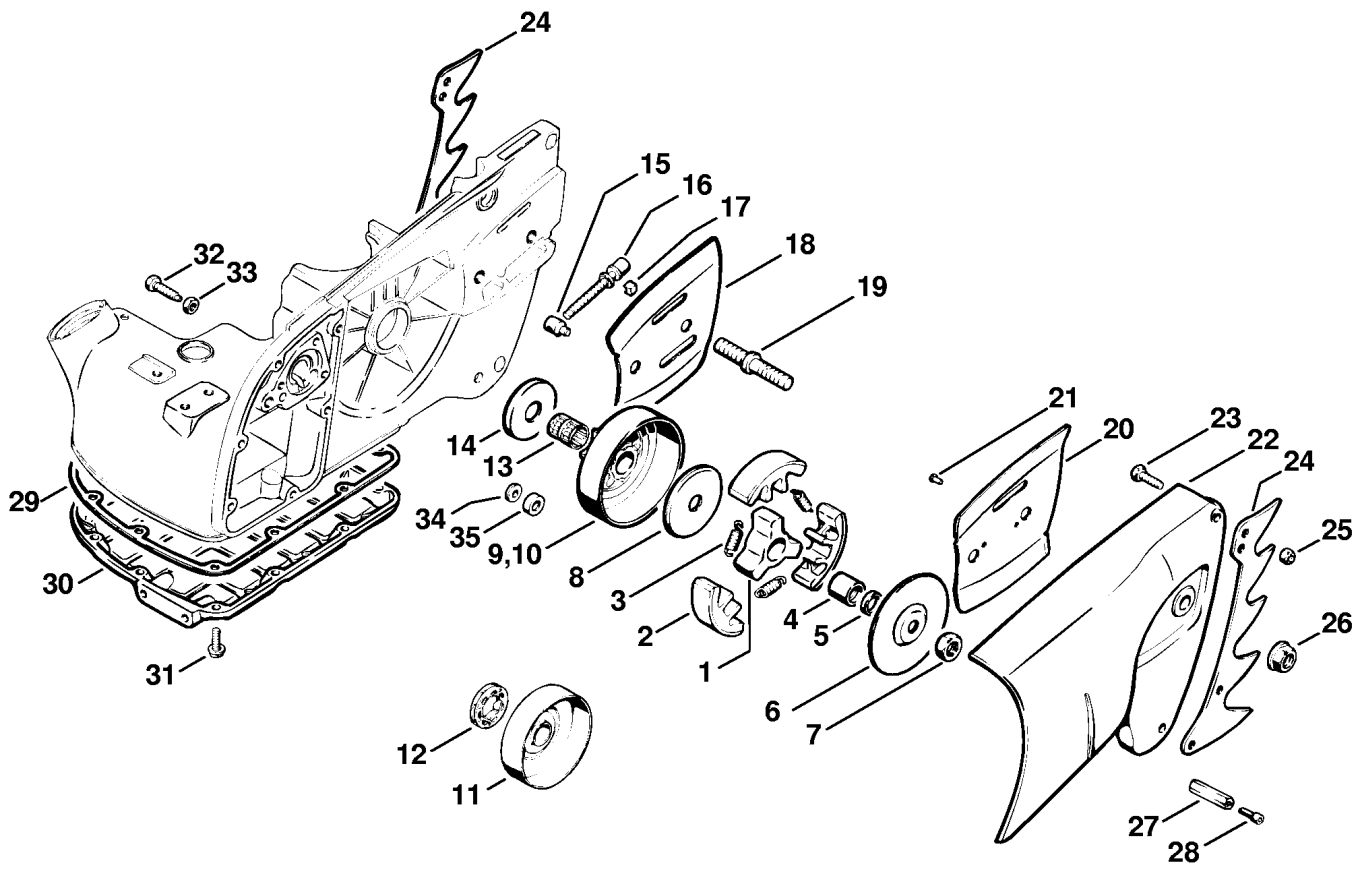


548ET002 SC

Reference	Item number	Qty	Description
	1106 080 2802	1	Fan cover with rewind starter □ 1 - 11
1	1106 080 2002	1	Fan housing □ 2, 3
2	1110 084 9102	1	Bushing
3	0000 967 2035	1	Nameplate STIHL
4	1106 195 9015	1	Washer
5	1117 190 0601	1	Rewind spring
6	1117 190 1011	1	Rope rotor
7	1107 195 8200	1	Starter rope Ø 4.5x1000 mm
	0000 930 2200	1	Starter rope Ø 4.5 mm x 30.5 m (B)
8	1110 195 3400	1	Starter grip
9	1124 195 7200	1	Pawl
10	1118 162 8935	1	Washer
11	1117 195 3500	1	Spring
12	9048 216 1010	4	Pan head screw M5x18

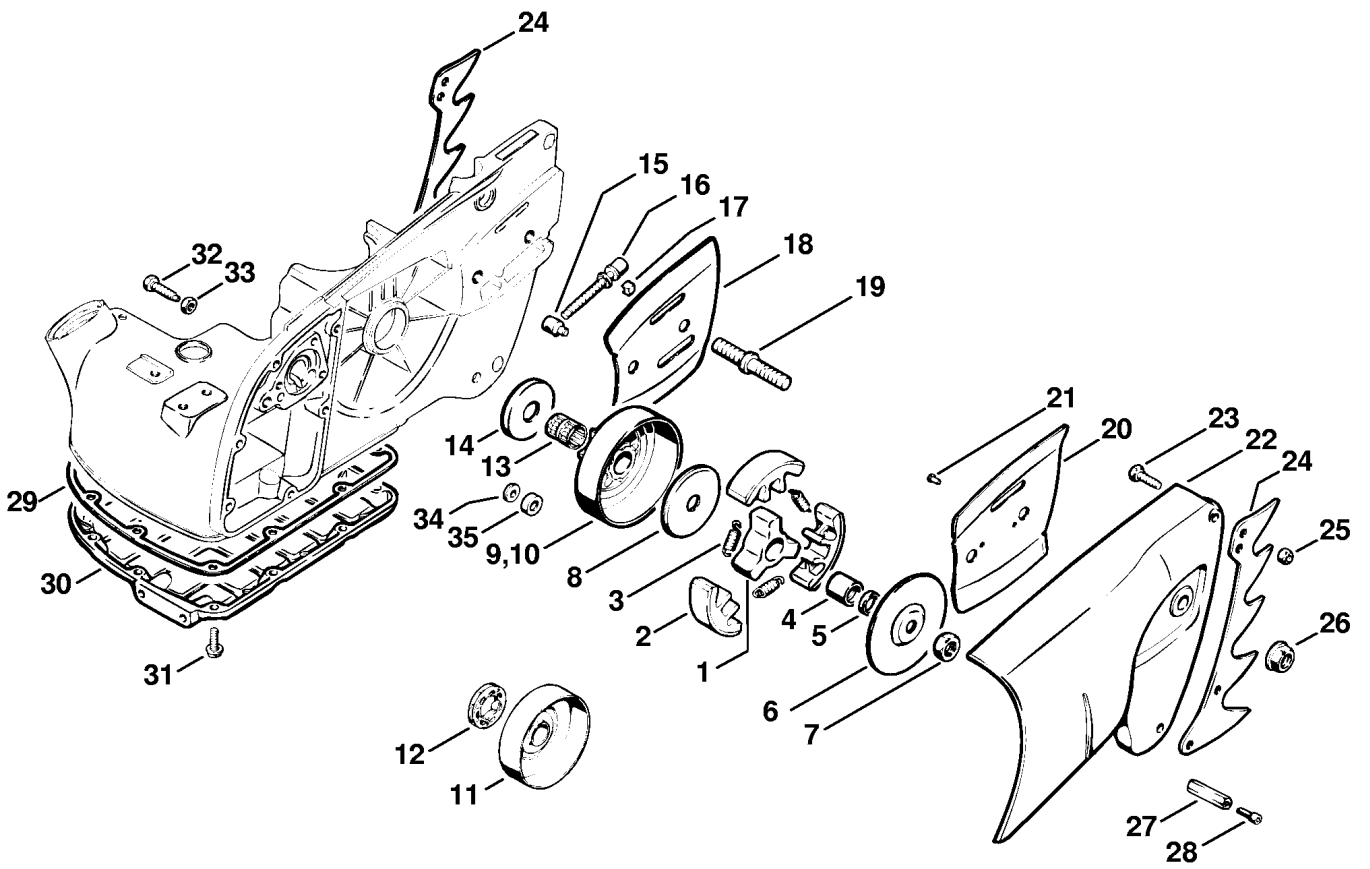


Reference	Item number	Qty	Description
	1106 400 0512	1	Magneto □ 1 - 20
1	1106 400 0705	1	Stator plate □ 2 - 19
2	1106 404 3210	1	Ignition coil
3	9110 313 0700	2	Flat head screw M4x19
4	1106 400 2001	1	Set of points
5	9322 630 0100	1	Spring washer 4
6	9041 216 0630	1	Pan head screw M4x8
7	1115 404 3400	1	Capacitor
8	1115 404 8800	1	Cap
9	9321 630 0080	1	Spring washer 3
10	9210 260 0400	1	Hexagon nut M3
11	1106 400 8201	1	Dust cap □ 12
12	1106 404 8300	1	Plug
13	9047 319 0360	2	Pan head screw M3x10
14	1106 442 1201	1	Short circuit wire □ 15, 16
15	1110 442 7000	1	Contact sleeve
16	0751 030 8951	1	Terminal socket A3-1
17		1	Ignition lead 375 mm (D)
	0000 405 0600	1	Ignition lead 1 m (B)
	0000 930 2251	1	Ignition lead 10 m (B)
18	0000 989 1010	1	Grommet
19	1110 404 4200	1	Felt wick
20	1106 400 1206	1	Flywheel (25.2005)
21	9021 319 0670	2	Pan head screw M4x14
22	1106 086 0505	1	Fanwheel
23	9048 216 0950	4	Pan head screw M5x10
24	1106 084 9100	1	Bushing
25	9210 261 1340	1	Hexagon nut M10x1
26	9482 435 0430	1	Woodruff key 3x5.5
27	0000 992 5820	1	Sealing ring
28	0000 989 0810	2	Grommet



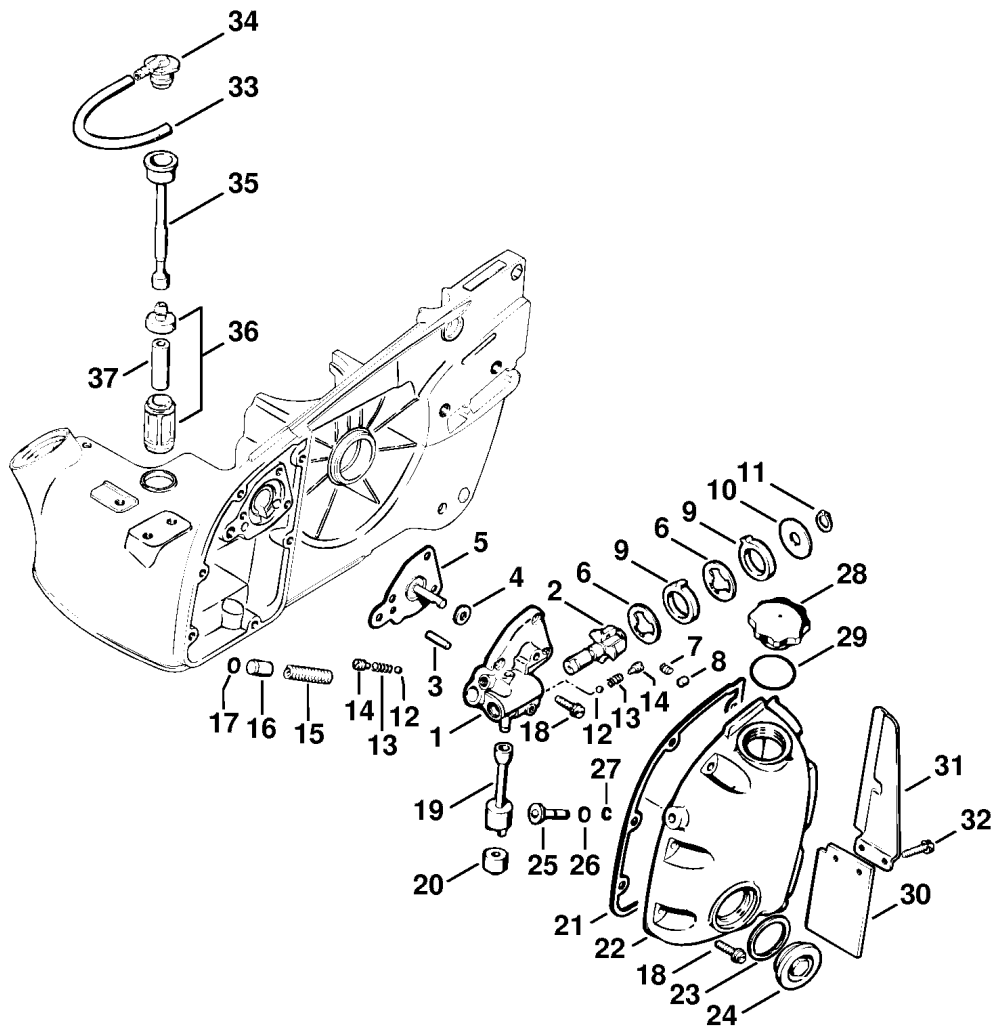
548ET004.SC

Reference	Item number	Qty	Description
	1106 160 2001	1	Clutch □ 1 - 3
1	1106 162 3200	1	Carrier
2	1106 007 1006	1	Clutch shoe kit , 3 pieces
3	0000 997 5909	1	Tension spring kit, 3 pieces
	1106 007 1007	1	Clutch shoe kit (B) , 3 pieces
4	1106 162 9000	1	Adapter sleeve
5	0000 961 1200	1	Ring
6	1106 162 1110	1	Washer
7	9210 261 1350	1	Hexagon nut M10x1
8	1106 162 8800	1	Washer
9	1106 640 2011	1	Chain sprocket 0.404" 7T
10	1106 640 2031	1	Chain sprocket 1/2" 6T (B)
	1106 640 2025	1	Rim sprocket kit 0.404" 7T (B) □ 11, 12
11		1	Clutch drum (D)
12	0000 642 1207	1	Rim sprocket 0.404" 7T
13	9512 933 4050	1	Needle cage 15x18x22
14	1106 036 9100	1	Cover washer
15	1106 664 1501	1	Tensioning nut
16	0000 951 2911	1	Adjusting screw M6
17	1107 021 9000	1	Clamp
18	1106 664 1000	1	Inner side plate
19	0000 953 6601	2	Stud
20	1106 664 1100	1	Outer side plate
21	9441 065 1910	2	Round head rivet 3x8
22	1106 648 0412	1	Chain sprocket cover
23	9008 319 1310	4	Hexagon head screw M6x18
24	1106 664 0510	2	Bumper spike
25	9214 320 0900	4	Lock nut M6
26	9220 260 1300	2	Hexagon nut M10

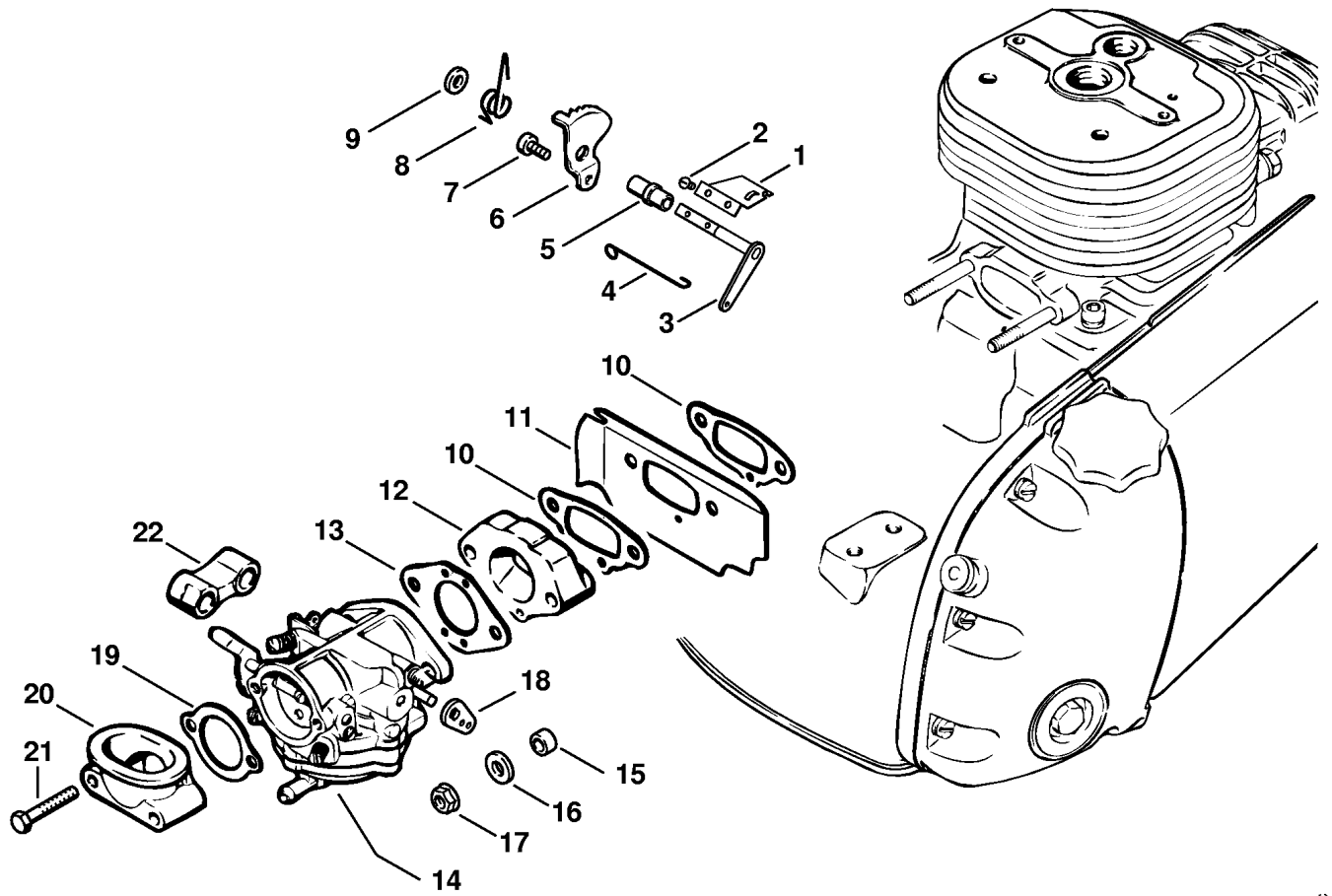


548ET004.SC

Reference	Item number	Qty	Description
27	1111 656 7700	1	Chain catcher
28	9040 346 1010	1	Socket head screw M5x18
29	1106 359 1110	1	Gasket
30	1106 351 0701	1	Fuel tank cover
31	9048 216 1010	10	Pan head screw M5x18
32	0000 951 0601	1	Hexagon head screw M6
33	9210 319 0900	1	Hexagon nut M6
34	1106 647 2800	1	Cup
35	1106 647 9200	1	Rubber cap
	1106 007 1050	1	Set of gaskets
			□ 29

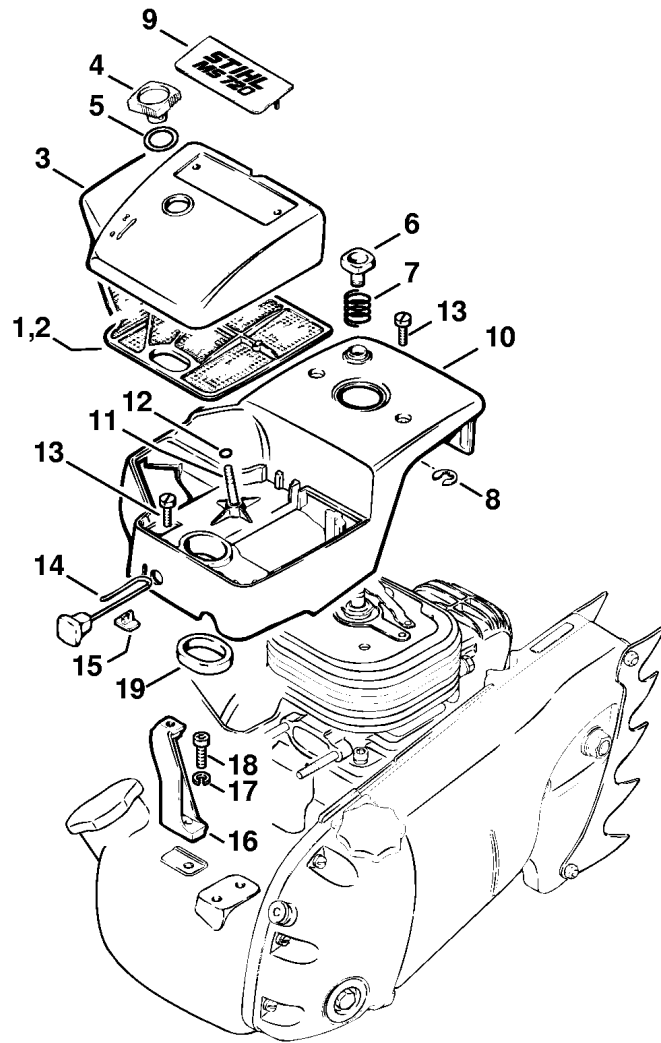


Reference	Item number	Qty	Description
	1106 640 3202	1	Oil pump □ 1 - 17
1	1106 640 3002	1	Pump housing
2	1106 647 0600	1	Pump piston
3	0000 971 0420	1	Pin
4	0000 992 5110	1	Sealing ring
5	1106 640 3100	1	Plunger with diaphragm
6	1106 647 7900	2	Washer
7	0000 997 0325	6	Compression spring
8	9517 003 5090	6	Cylindrical roller 5x5
9	1106 647 2611	2	Annular lever
10	0000 958 1001	1	Washer
11	9455 621 0850	1	Circlip 10x1
12	9516 003 1730	2	Ball Ø 4 mm
13	0000 997 0336	2	Compression spring
14	0000 951 5810	2	Grub screw M6
15	0000 997 0728	1	Compression spring
16	1111 647 0610	1	Pump piston
17	9646 945 0490	1	O-ring 7x1.5
18	9048 216 1010	9	Pan head screw M5x18
19	1106 647 9404	1	Hose
20	1106 640 3801	1	Pickup body
21	1106 359 0700	1	Gasket
22	1106 350 4002	1	Oil tank cover □ 23 - 27
23	0000 992 7105	1	Sealing ring
24	1106 351 2200	1	Oil sight glass
	1106 007 1004	1	Thrust bolt kit □ 25 - 27
25	1106 640 6000	1	Thrust bolt
26	9646 945 0150	1	O-ring 4x1
27	9468 621 0330	1	Circlip 6x0.7
28	1106 640 3600	1	Oil filler cap □ 29
29	0000 992 6302	1	Sealing ring
30	1106 656 2000	1	Chip guard
31	1106 656 1500	1	Guard plate
32	9048 319 0680	2	Pan head screw M4x16
33	1106 358 0700	1	Hose 135mm
34	1108 353 2500	1	Elbow connector
35	1111 358 7700	1	Hose
36	0000 350 3500	1	Pickup body □ 37
37	0000 358 1800	1	Filter
	1106 007 1050	1	Set of gaskets □ 21



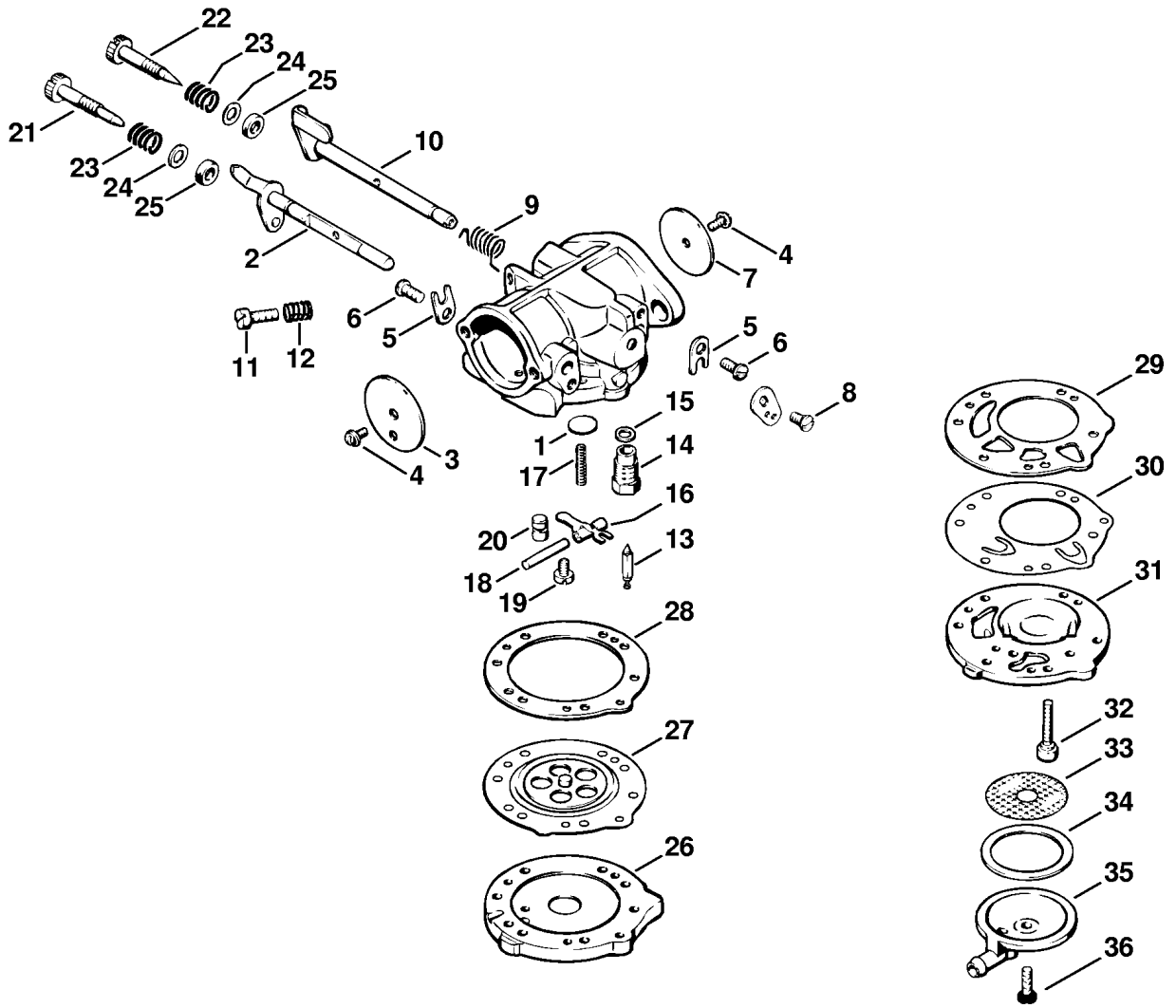
549ET005 SC

Reference	Item number	Qty	Description
1	1106 104 1000	1	Wind vane
2	9047 319 0220	2	Pan head screw M2.6x5
3	1106 100 0601	1	Governor shaft
4	1106 104 0501	1	Governor rod
5	1106 104 0200	1	Bearing bushing
6	1106 104 1900	1	Notched speed control base
7	9048 319 0650	1	Pan head screw M4x10
8	0000 998 0811	1	Torsion spring
9	9291 021 0120	1	Washer 5.3
10	1106 129 1110	2	Gasket
11	1106 121 2201	1	Cooling plate
12	1106 121 1615	1	Spacer flange
13	1106 129 1100	1	Gasket
14	1106 120 0650	1	Carburetor LB-S9A
15	1106 121 8701	2	Bushing
16	1106 121 8600	2	Washer
17	9220 260 0900	2	Hexagon nut M6
18	1106 123 7600	1	Strap
19	1106 149 1200	1	Filter gasket
20	1106 141 2200	1	Intake elbow
21	9012 319 1070	2	Hexagon head screw M5x30
22	1106 123 7500	1	Grommet
	1106 007 1050	1	Set of gaskets □ 10, 13, 19

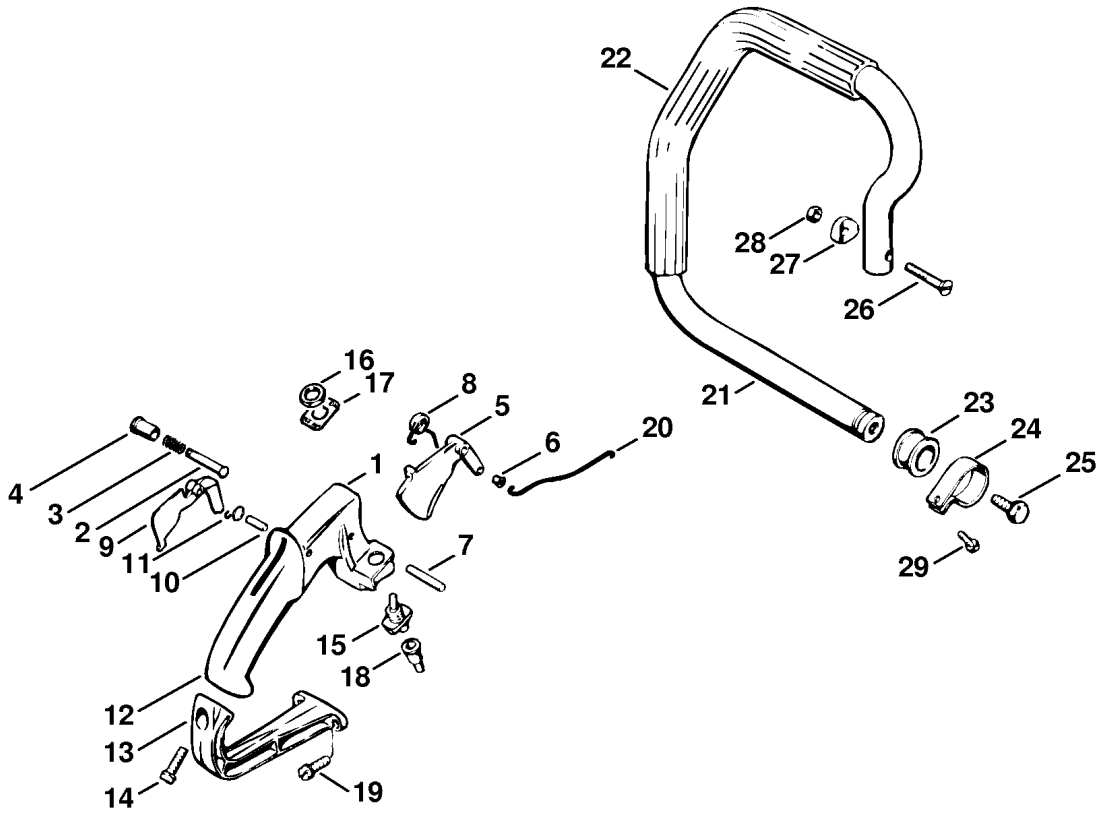


549ET006 SC

Reference	Item number	Qty	Description
1	1106 120 1602	1	Air filter, fleece
2	1106 120 1610	1	Air filter, wire mesh (B)
3	1106 084 0602	1	Cover
4	1110 140 9501	1	Twist lock
5	0000 958 1705	1	Washer
6	1106 020 9500	1	Button
7	0000 997 1705	1	Compression spring
8	9460 624 0800	1	E-clip 8
9	1106 967 1504	1	Model plate MS 720
10	1106 080 1603	1	Shroud □ 11
11	9121 347 1090	1	Stud M5x40
12	9646 945 0150	1	O-ring 4x1
13	9048 216 1010	3	Pan head screw M5x18
14	1106 180 2500	1	Choke rod
15	1106 182 2400	1	Clamp
16	1106 791 7601	1	Support
17	9334 630 0140	1	Spring washer 6
18	9045 319 1320	1	Socket head screw M6x20
19	1106 149 0400	1	Sealing ring

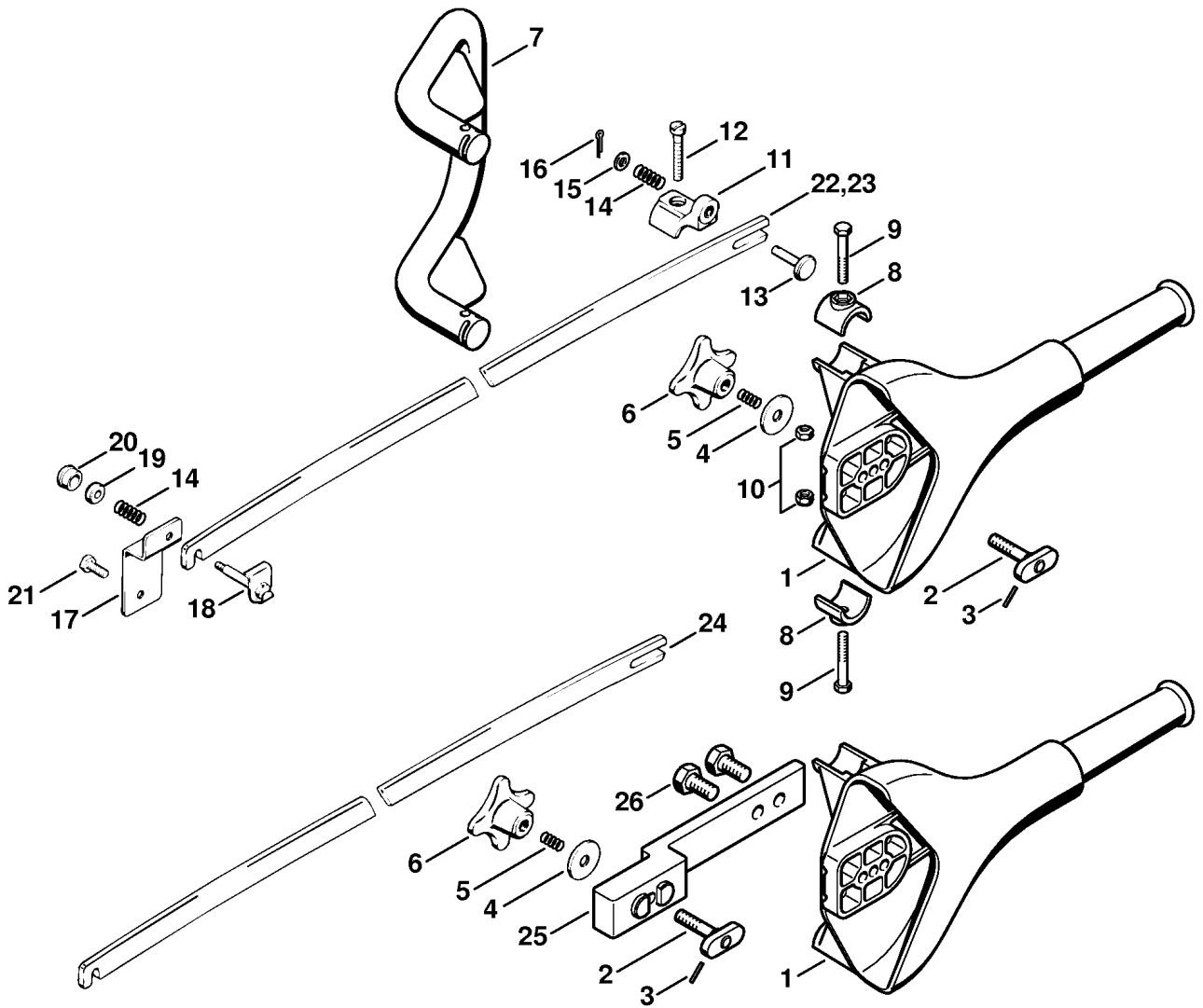


Reference	Item number	Qty	Description
	1106 120 0650	1	Carburetor LB-S9A □ 1 - 36
1	6503 122 9410	1	Plug
2	1106 120 7220	1	Choke shaft with lever
3	1106 121 2901	1	Choke shutter
4	1125 122 7402	2	Round head screw
5	4201 122 9300	2	Clip
6	4201 122 7702	2	Oval head screw
7	1106 121 3302	1	Throttle shutter
8	9079 319 0280	1	Flat head screw M3x3.5
9	4201 122 3000	1	Spring
10	1106 120 7102	1	Throttle shaft with lever
11	4201 122 6201	1	Idle speed adjustment screw
12	1120 122 3003	1	Spring
13	4126 121 5170	1	Inlet needle
14	4201 121 1100	1	Valve body
15	4201 129 2500	1	Washer
16	4201 121 5000	1	Inlet control lever
17	4201 122 3001	1	Spring
18	4201 121 9200	1	Spindle
19	1120 122 6600	1	Collar screw
20	1120 121 5401	1	Valve jet
21	1106 122 6702	1	High speed adjustment screw
22	4201 122 6800	1	Low speed adjustment screw
23	1120 122 3005	2	Spring
24	4201 122 1500	2	Washer
25	4201 129 3001	2	Sealing ring
26	1106 121 0502	1	Pump housing
27	6503 121 4700	1	Metering diaphragm
28	6503 129 0910	1	Gasket
29	1108 129 1100	1	Gasket
30	1106 121 4803	1	Pump diaphragm
31	1106 121 0800	1	End cover
32	1108 122 7700	6	Oval head screw
33	6503 121 7810	1	Strainer
34	6503 129 3010	1	Sealing ring
35	6503 121 0800	1	End cover
36	6503 122 7700	1	Oval head screw
	1106 007 1061	1	Set of carburetor parts □ 15, 25, 27 - 30, 34



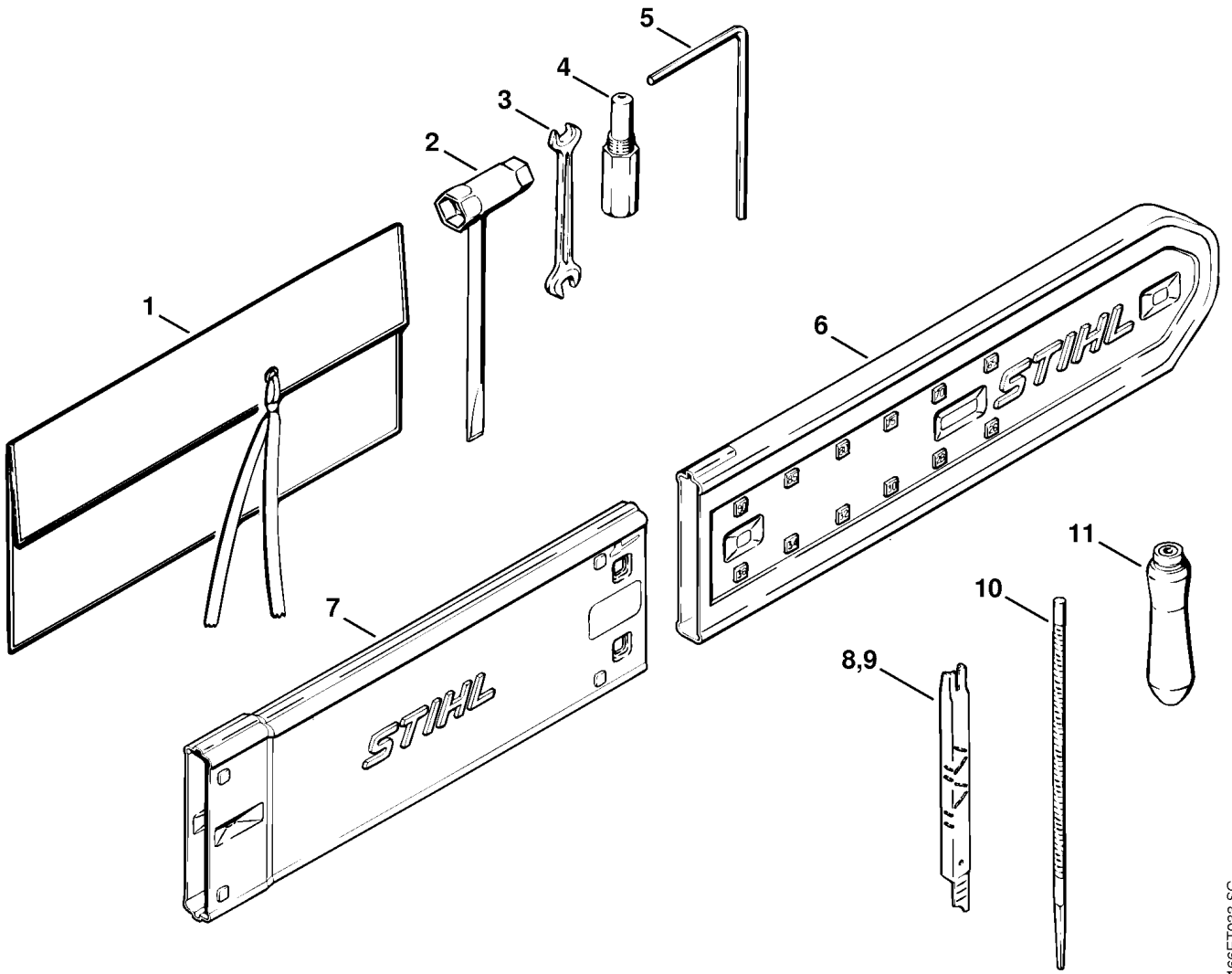
106ET037 SC

Reference	Item number	Qty	Description
1	1106 790 0302	1	Handle □ 2 - 12
2	1113 182 8901	1	Pin
3	0000 997 0603	1	Compression spring
4	1113 182 9305	1	Starting throttle lock
5	1106 180 1506	1	Throttle trigger □ 6
6	9415 415 3140	1	Hollow rivet 4x0.3x5
7	9371 470 2640	1	Cylindrical pin 5x24
8	1108 182 4500	1	Torsion spring
9	1106 182 0800	1	Trigger interlock
10	9372 470 2130	1	Cylindrical pin 4x20
11	0000 998 0802	1	Torsion spring
12	1106 791 2205	1	Rubber grip
13	1106 791 7600	1	Support
14	9048 216 1320	1	Pan head screw M6x20
15	1110 430 0202	1	Stop switch
16	9211 260 1430	1	Hexagon nut M12x0.75
17	0000 967 3506	1	Label
18	1110 432 9200	1	Grommet
19	9048 216 1320	4	Pan head screw M6x20
20	1106 182 1504	1	Throttle rod
21	1106 790 1501	1	Handlebar with hose □ 22
22		1	Handle hose 390 mm / 15 3/8"
	0000 791 2009	1	Handle hose Ø 19 mm x 5 m / 3/4x197" (B)
23	1106 791 9500	1	Rubber bushing
24	1106 791 9400	1	Tube clamp
25	9015 319 1800	1	Hexagon head screw M8x20
26	0000 951 4110	1	Countersunk screw M6
27	1106 791 8600	1	Thrust washer
28	9214 320 0900	1	Lock nut M6
29	9048 216 1010	1	Pan head screw M5x18



129ET043 SC

Reference	Item number	Qty	Description
1	1124 660 2500	1	Helper's handle (B) □ 2 - 10
2	1109 660 0600	1	Tensioning bolt (B) □ 3
3	9380 620 1120	1	Roll pin 2x14 (B)
4	0000 958 2208	1	Washer (B)
5	0000 997 0620	1	Compression spring (B)
6	1109 660 0500	1	Tensioning nut (B)
7	1109 790 2200	1	Front handle (B)
8	1109 791 9000	2	Clamp (B)
9	9007 319 1400	2	Hexagon head screw M6x40 (B)
10	9214 320 0900	2	Lock nut M6 (B)
	1124 007 1018	1	Chain guard kit 105 cm / 42" (B) □ 11 - 22
11	1109 650 8400	1	Support (B)
12	9042 216 1400	1	Pan head screw M6x40 (B)
13	1401 668 8500	1	Spring bolt (B)
14	0000 997 0901	2	Compression spring (B)
15	0000 958 0600	1	Washer (B)
16	9395 021 0790	1	Split pin 1.6x12 (B)
17	1124 656 8300	1	Support (B)
18	1401 640 8000	1	Spring bolt (B)
19	0000 961 1401	1	Ring (B)
20	1401 648 8400	1	Push button (B)
21	9008 319 1280	1	Hexagon head screw M6x16 (B)
22	1202 656 1000	1	Chain scabbard 105 cm / 42" (B)
	1124 007 1019	1	Chain guard kit 120 cm / 48" (B) □ 11 - 21, 23
23	1202 656 1001	1	Chain scabbard 120 cm / 48" (B)
	1124 007 1020	1	Chain guard kit 150 cm / 59" (B) □ 11 - 21, 24
24	1202 656 1002	1	Chain scabbard 150 cm / 59" (B)
25	1124 660 2650	1	Spacer (B) □ 26
26	9008 319 2360	2	Hexagon head screw M10x20 (B)



166ET033 SC

Reference	Item number	Qty	Description
	1106 890 1400	1	Tool kit □ 1 - 5
1	0000 891 0801	1	Tool roll
2	1106 890 3402	1	Combination wrench
3	0811 012 1152	1	Wrench 8x10
4	1107 191 1201	1	Locking screw
5	0811 270 1100	1	Allen key 5x110x70
6	0000 792 9130	1	Chain scabbard
7	0000 792 9133	1	Chain scabbard extension up to 90 cm (B)
8	1106 893 4010	1	Filing gauge 1.2 mm, 1/2" (B)
9	1106 893 4000	1	Filing gauge 0.404", 1/2" (B)
10	0811 411 8108	1	Round file Ø 5.5x200 mm (B)
11	0811 490 7860	1	File handle A100 (B)